

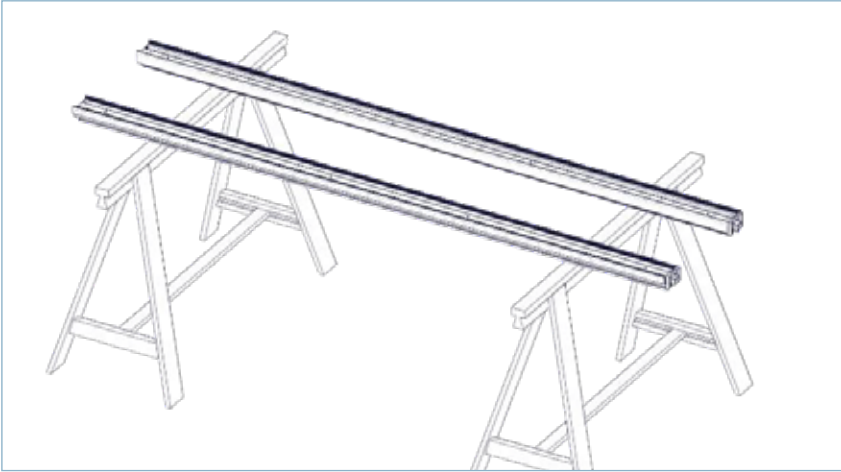


origin

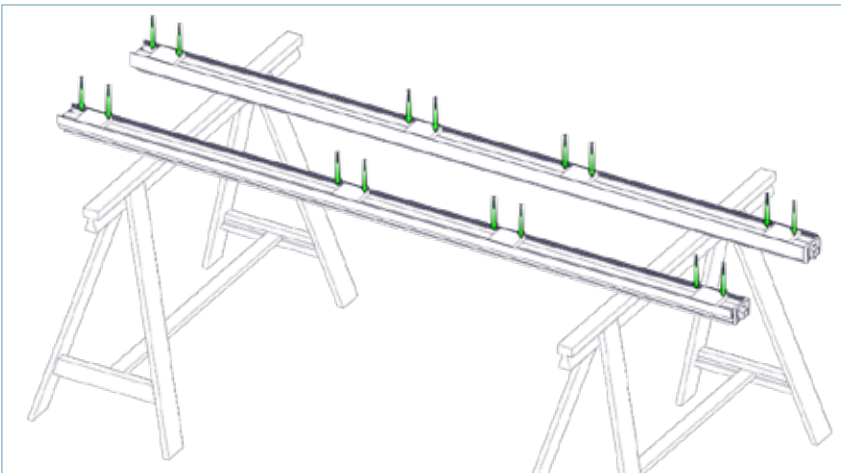
DOORS AND WINDOWS

Residential Door Installation Guide

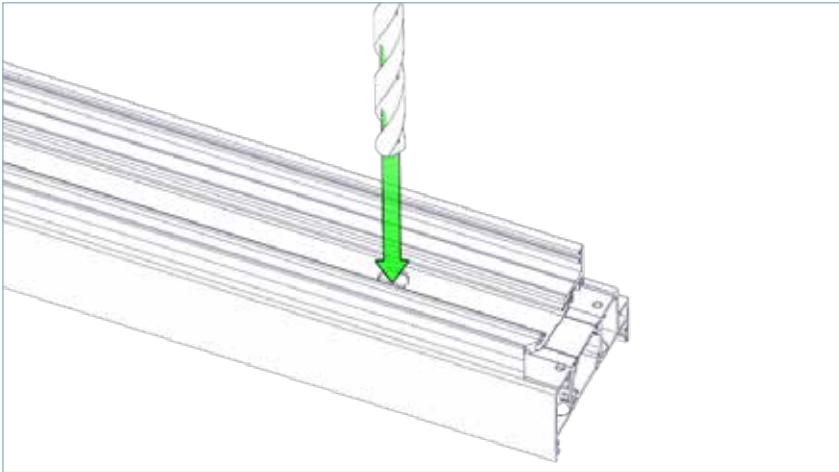
Installation Guide



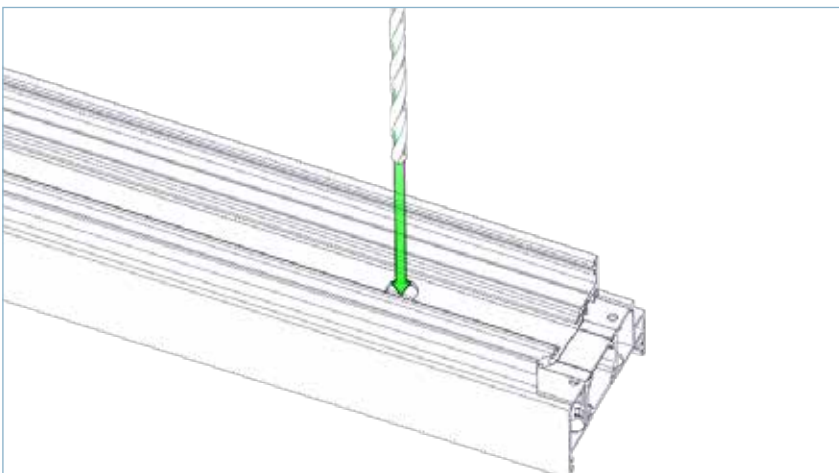
1. Lay jambs on a flat surface, preferably a pair of trestles.



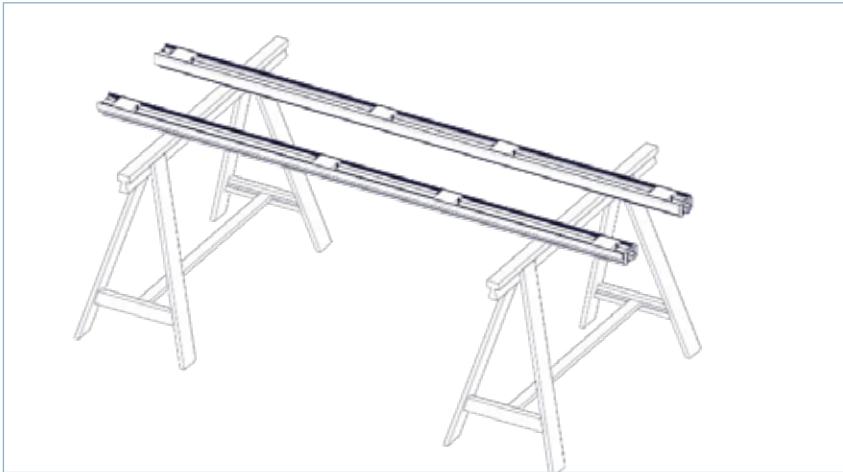
2. Secure the jamb packers using a 25mm self-tapping screw either side. Ensure each of the jamb packers are positioned and secured correctly. Position fixings within 150mm of the corner. Centre fixings should be spaced 600mm apart thereafter.



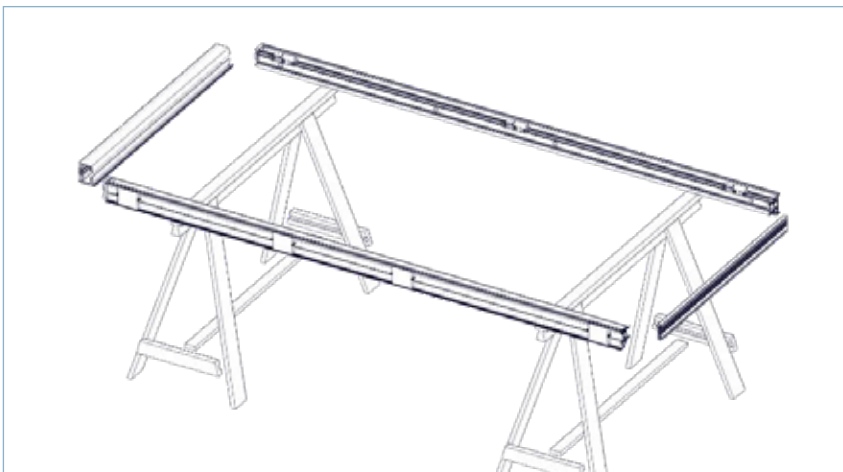
3. From the bottom of the jamb, measure and then drill fixing holes through the first layer of polyamide using a 13mm drill bit. Make sure the hole aligns with the centre of each jamb packer.



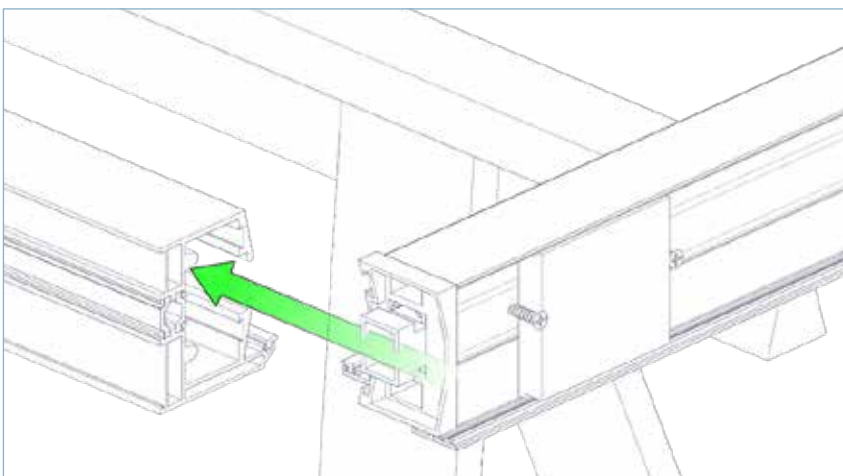
4. Then, through the 13mm hole, drill an 8mm hole through the remaining jamb and jamb packer.



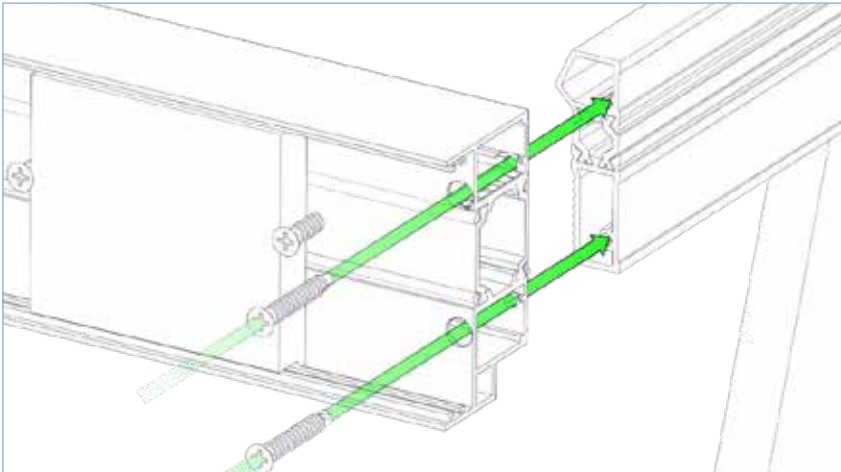
5. The jambs are now prepped and ready for assembly.



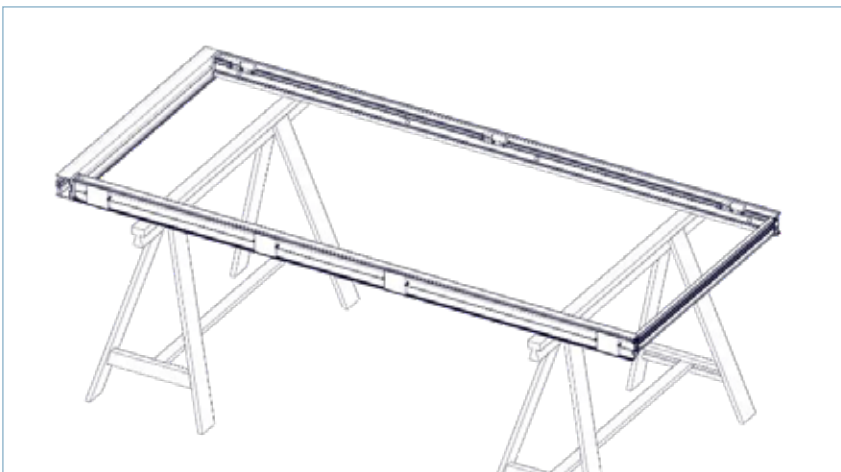
6. Still using the trestles, you now need to assemble the outer frame.



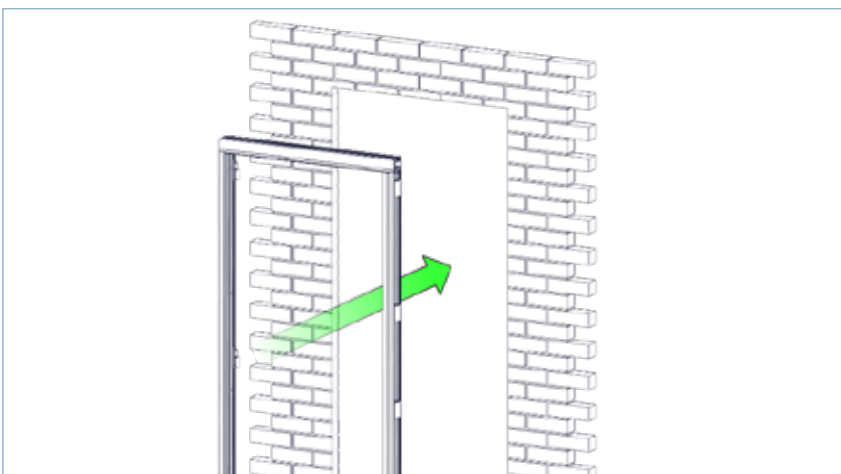
7. Starting with the top, slide the two jambs into the top track.



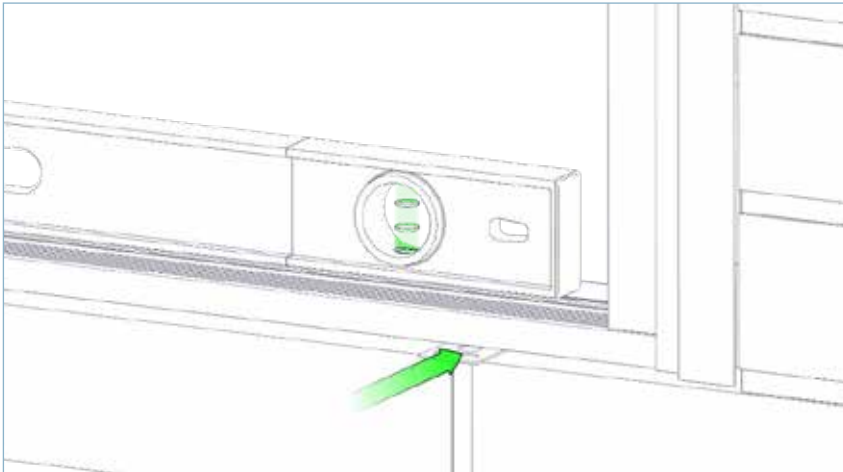
8. For the mobility threshold, secure the jambs to the threshold using two of the supplied 3.5mm screws. Seal the mating faces with silicone. If it is a standard threshold, repeat step 7.



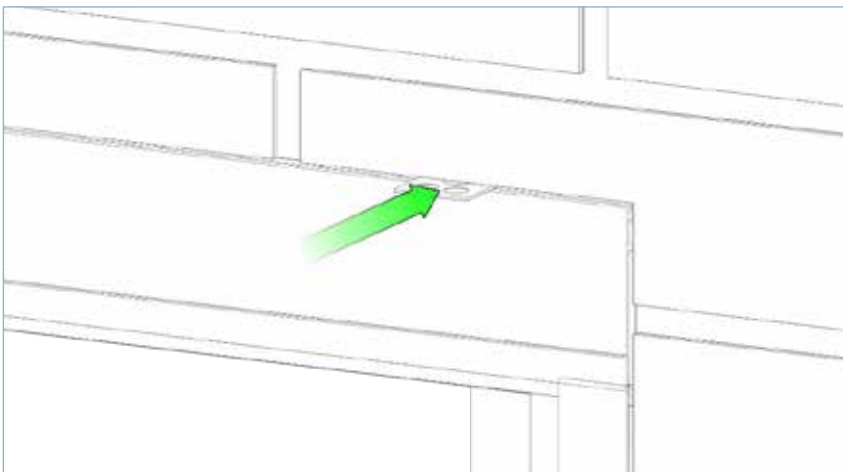
9. The outer frame should now be assembled and secured together.



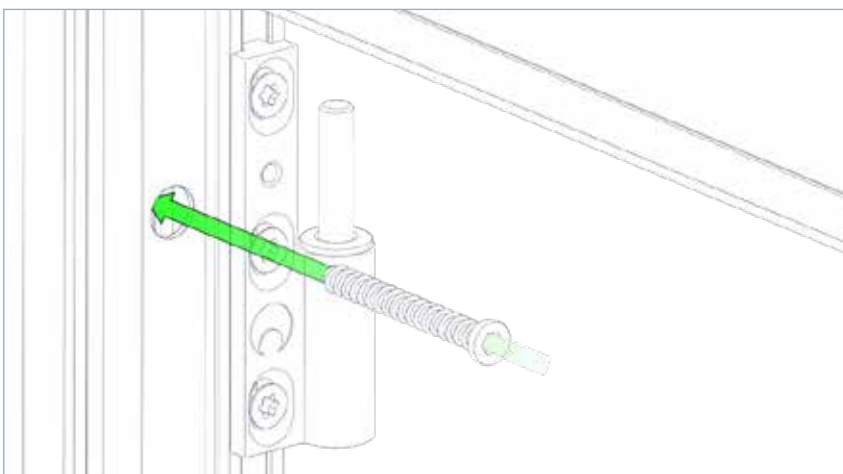
10. Position the outer frame into the opening, being careful not to scratch any of the profile



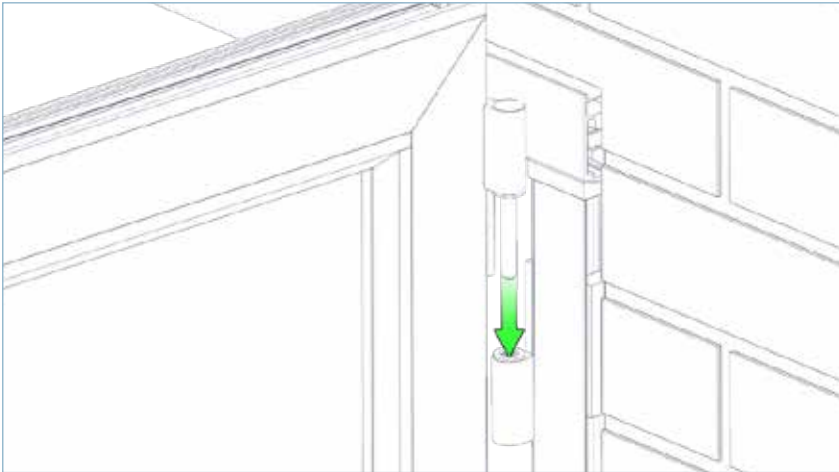
11. First, using frame packers, ensure the threshold is perfectly level.



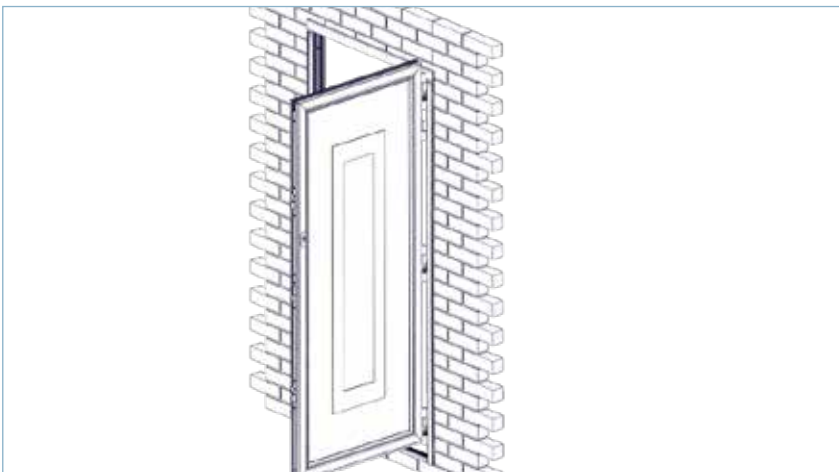
12. When level, pack out the top of the frame using the appropriate packers. Ensure this is tight but not over compressing the jamb to track connectors.



13. Starting with the hinge side, pack out the jamb so it is perfectly level and secure through the fixing holes prepared earlier using appropriate fixings.



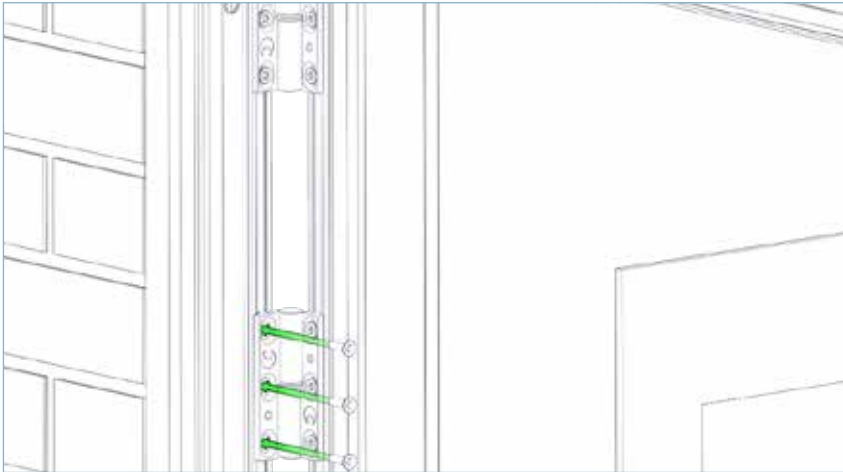
14. Once the jambs are securely fixed into place, carefully unwrap the sash and lift onto the jamb using the hinge pins to locate it.



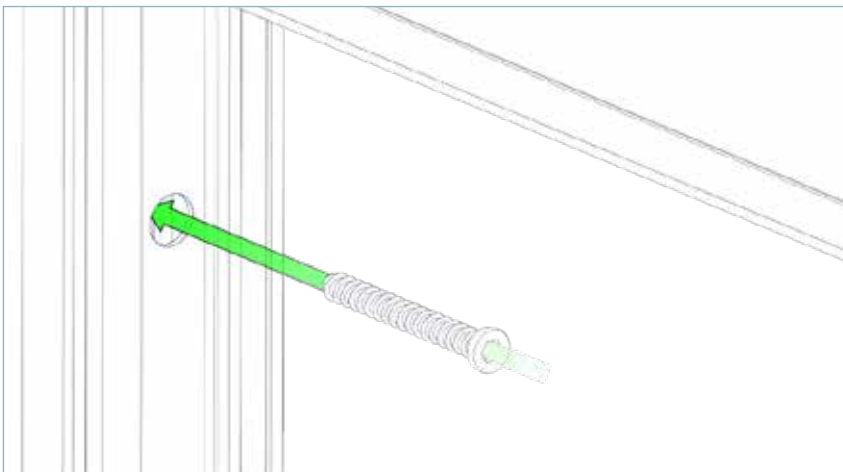
15. Check all the hinge pins are correctly engaged in the hinges.



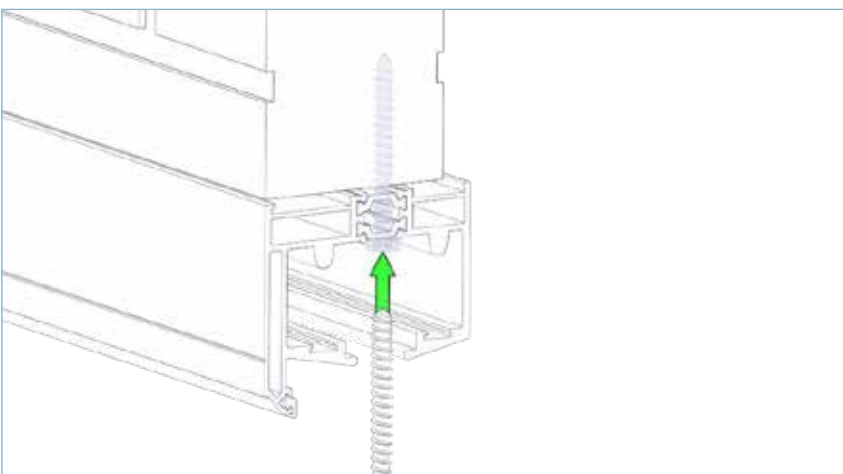
16. Find the separately provided hinge leaf and slide onto the exposed hinge pin.



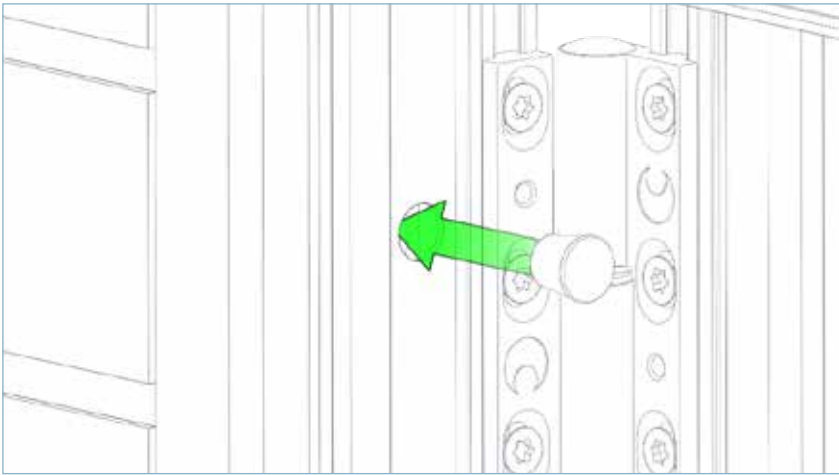
17. Carefully secure the hinge leaf to the jamb using the provided screws.



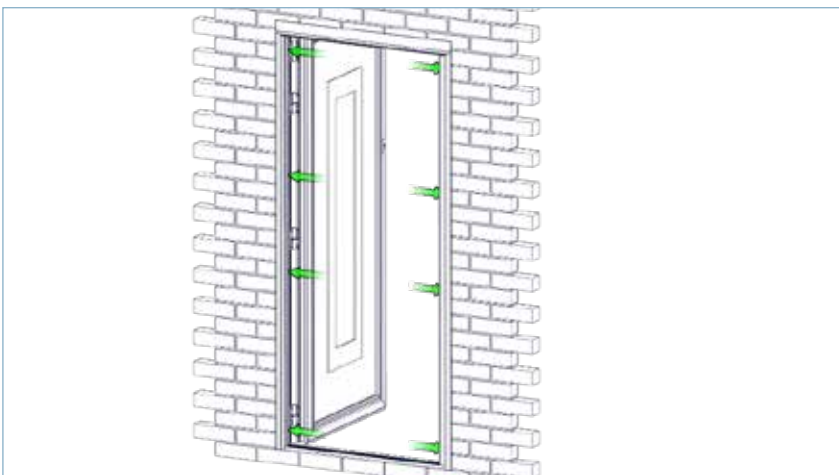
18. Using the door as a gauge, ensure the locking jamb runs parallel to the edge of the door with the correct spacing (approximately 4mm). Once this is achieved, pack out the jamb and secure using appropriate fixings.



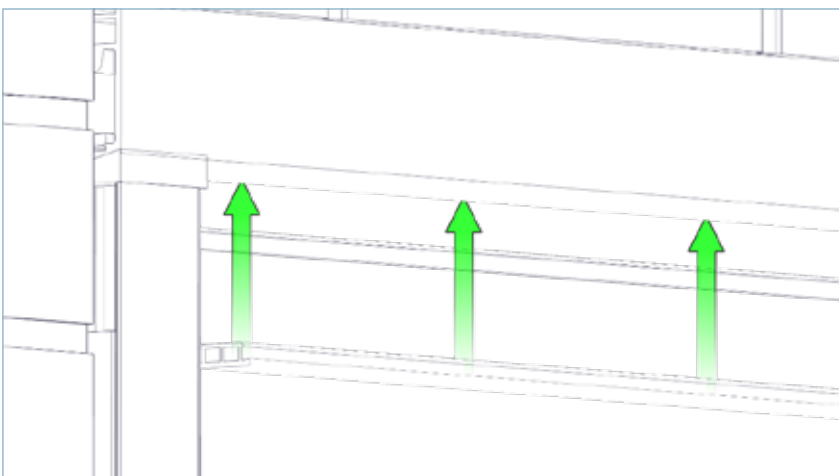
19. Using appropriate fixings, secure the top track through the polyamides. Fixings should be positioned approximately 150mm in from each jamb and no more than 600mm thereafter.



20. Insert the fixing plugs to cover up the fixing holes in the jambs.



21. Ensure they are all covered.



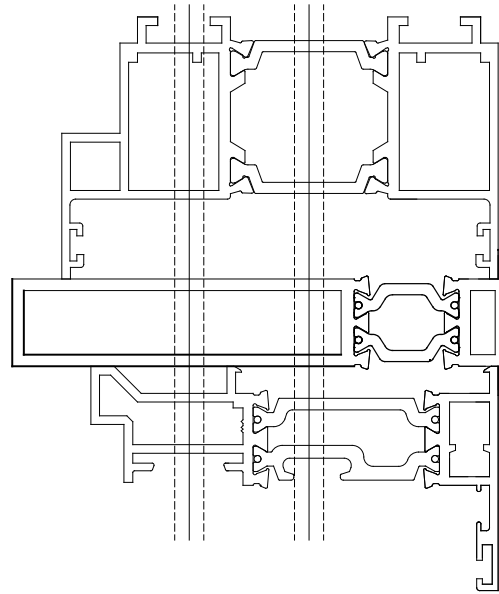
22. Insert the track gap gasket into the bottom edge of the track.

Door-to-window Coupler Installation Guide

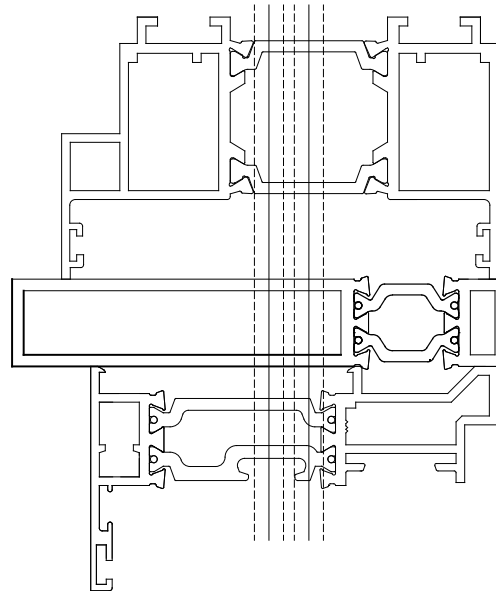
The coupler is only to be used vertically.
The maximum length of a coupler is 3000mm.

Fixings are to be placed 150mm from the ends and at 400mm centres.

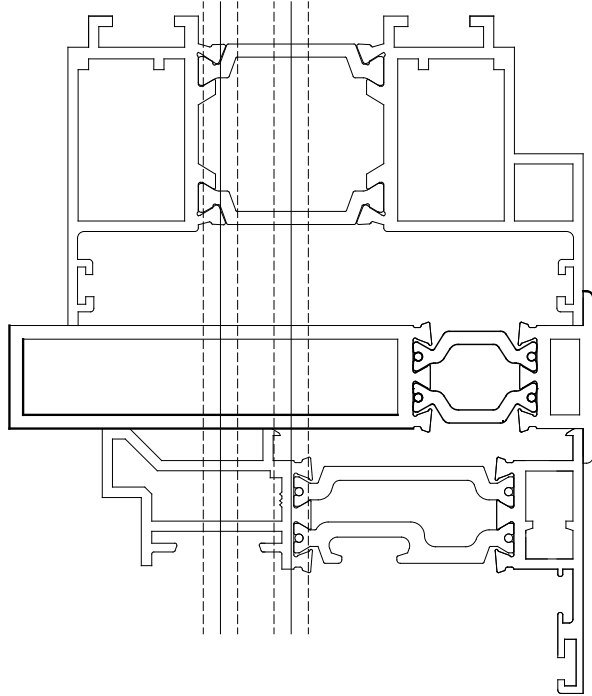
Ensure you make the appropriate deductions to your products (a total of 15mm or 7.5mm on each product).



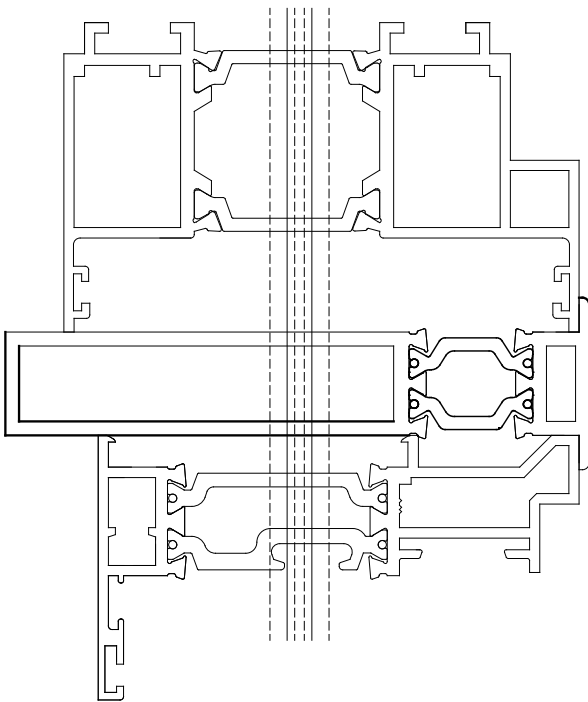
Door-to-window Coupler
(OW-70 Window)



Door-to-window Coupler Installation Guide

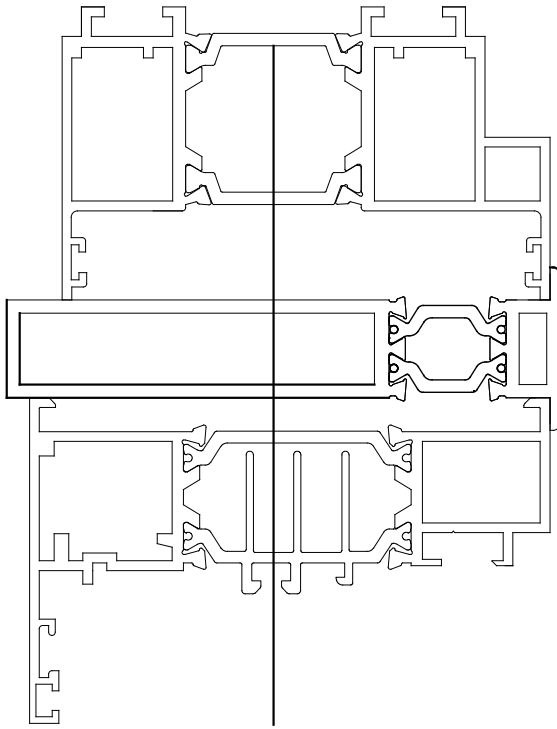


Door-to-window Coupler
(OW-70 Window)

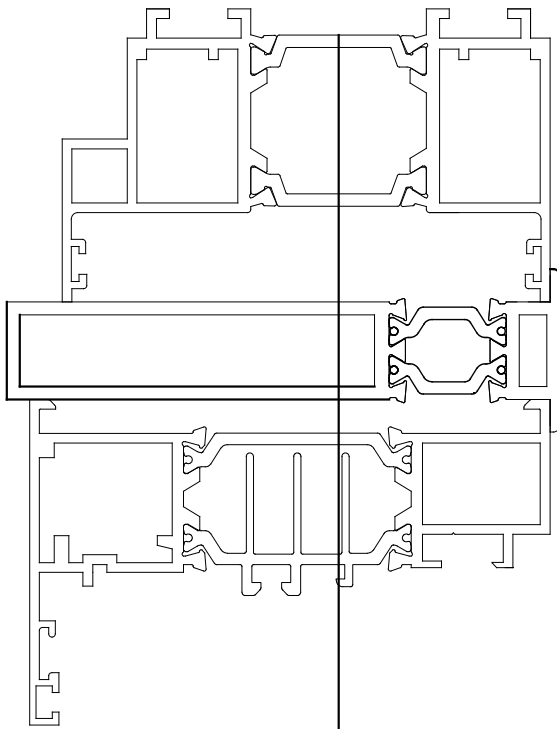


Door-to-window Coupler
(OW-70 Window)

Door-to-window Coupler Installation Guide

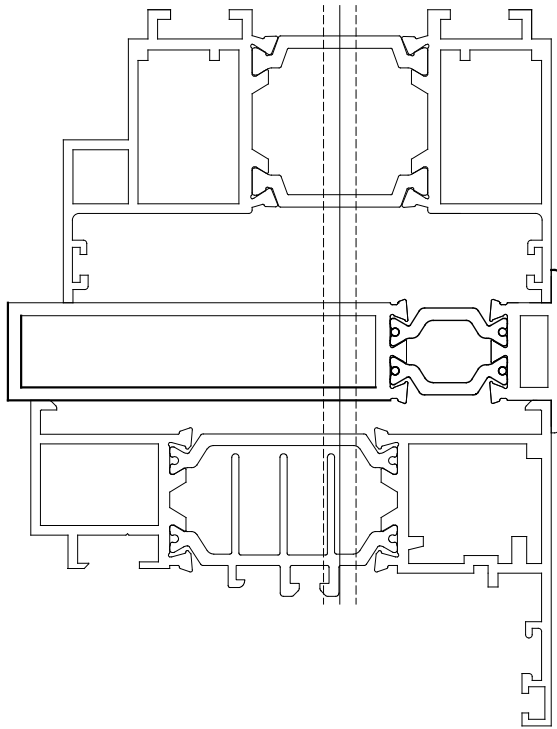


Door-to-window Coupler
(OW-80 Window)

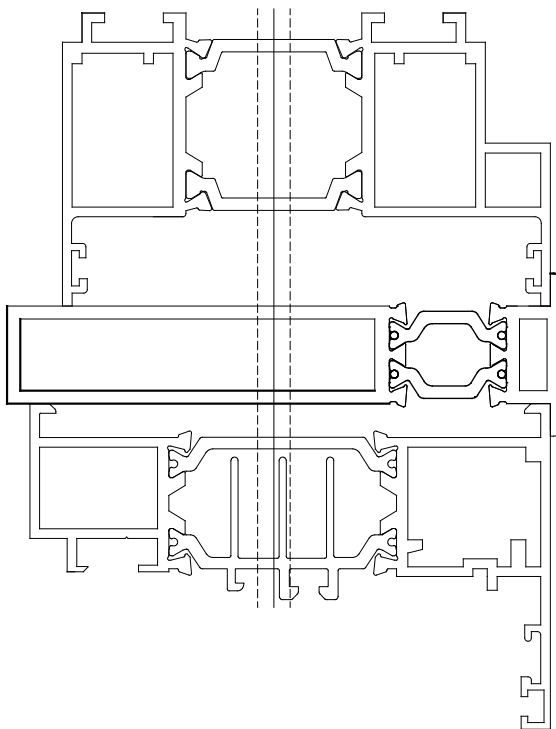


Door-to-window Coupler
(OW-80 Window)

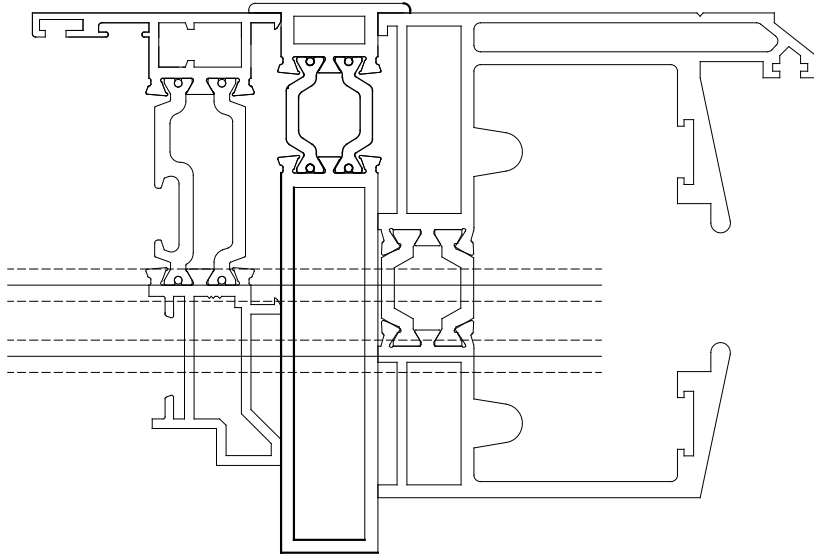
Door-to-window Coupler Installation Guide



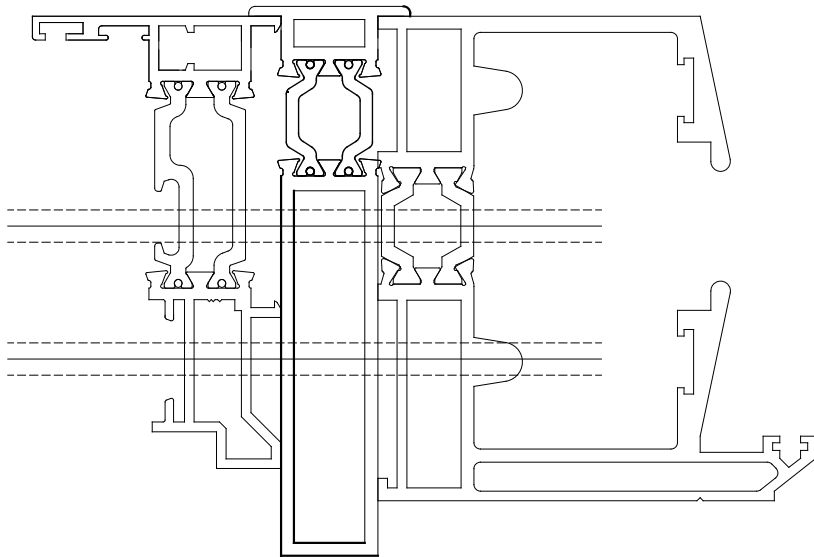
Door-to-window Coupler
(OW-80 Window)



Door-to-window Coupler
(OW-80 Window)

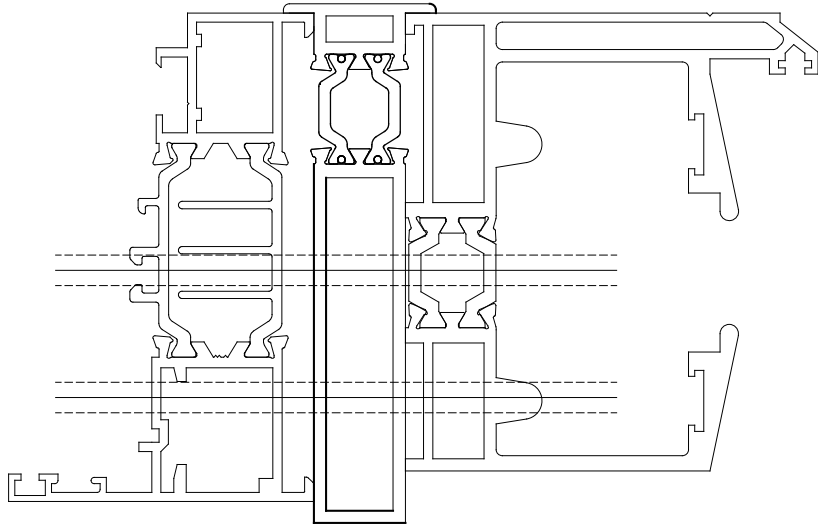


Door-to-window Coupler
(Window above door)

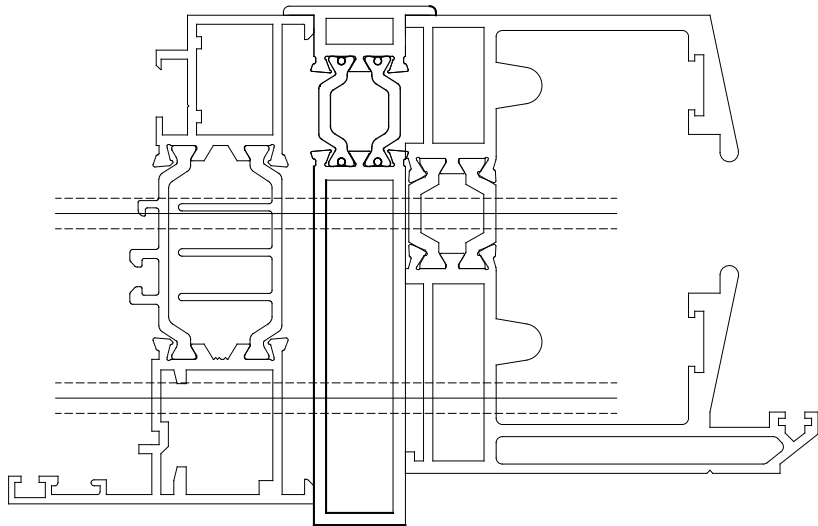


Door-to-window Coupler
(Window above door)

Door-to-window Coupler Installation Guide



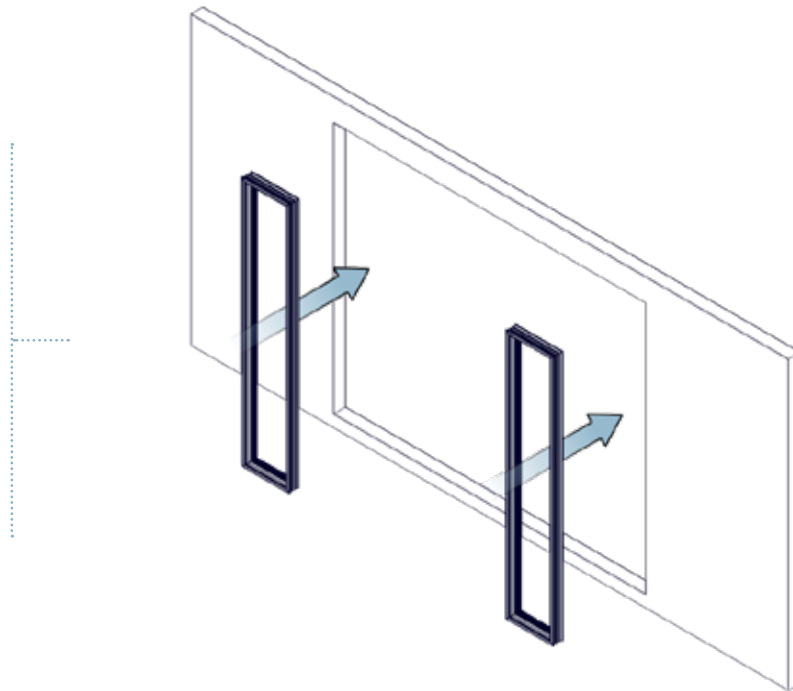
Door-to-window Coupler
(Window above door)



Door-to-window Coupler
(Window above door)

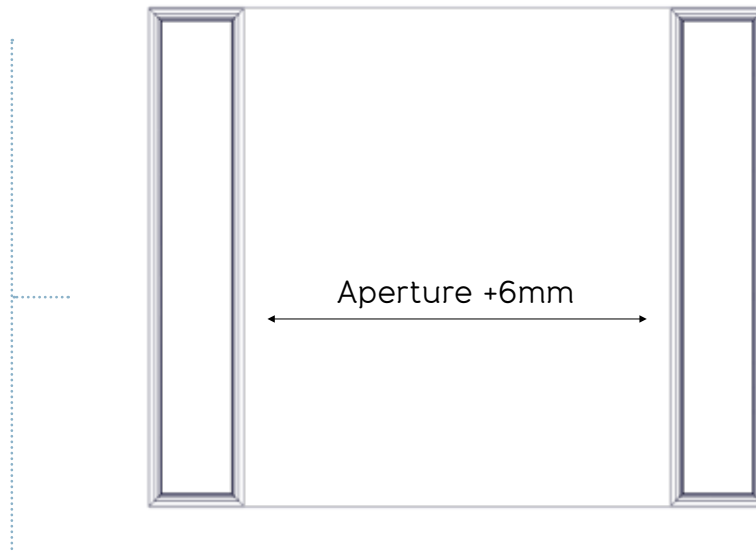
Window-to-jamb Coupler Installation Guide

Install the windows
as described in the
Installation Guide



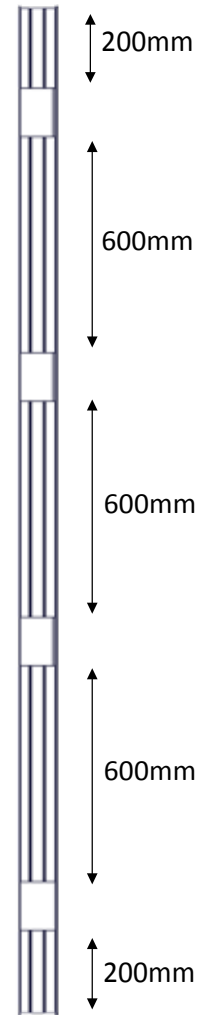
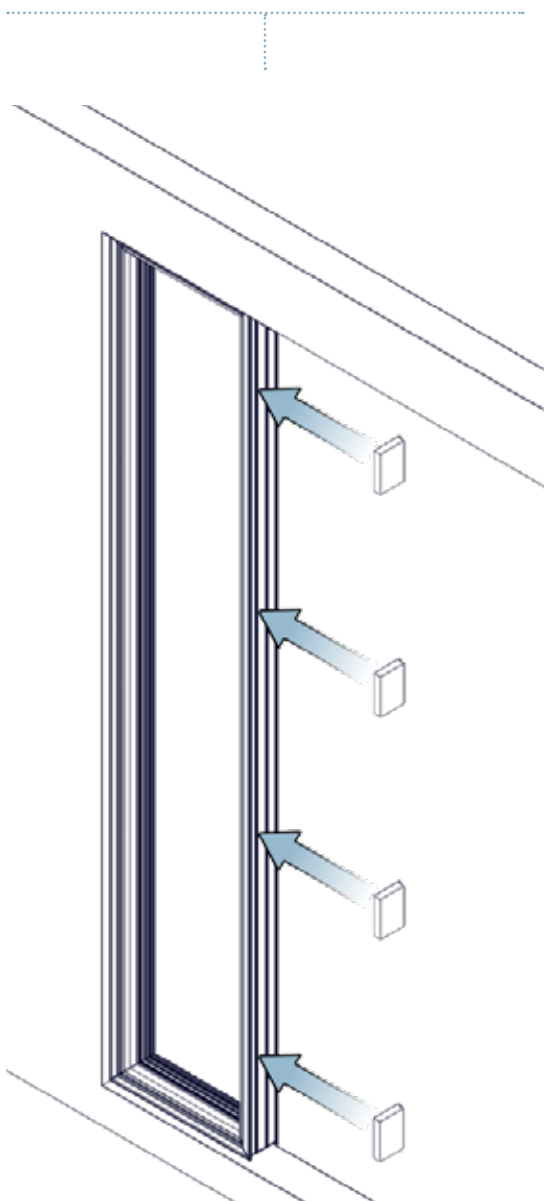
Ensure the remaining
aperture is 6mm wider
than the overall door
set width

Do not install the glass



Window-to-jamb Coupler Installation Guide

Install the alignment block into the window frame

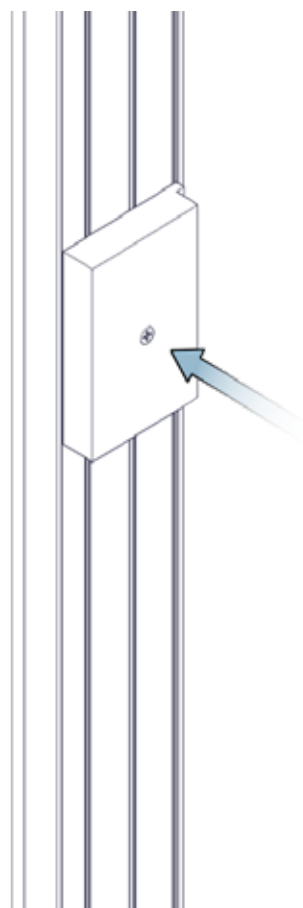
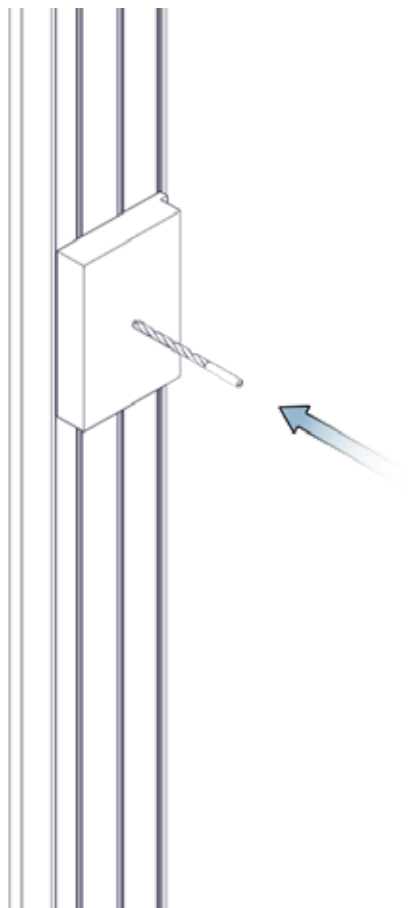


Leave 200mm from each end and evenly space the rest appropriately

Drill, countersink and fix alignment blocks

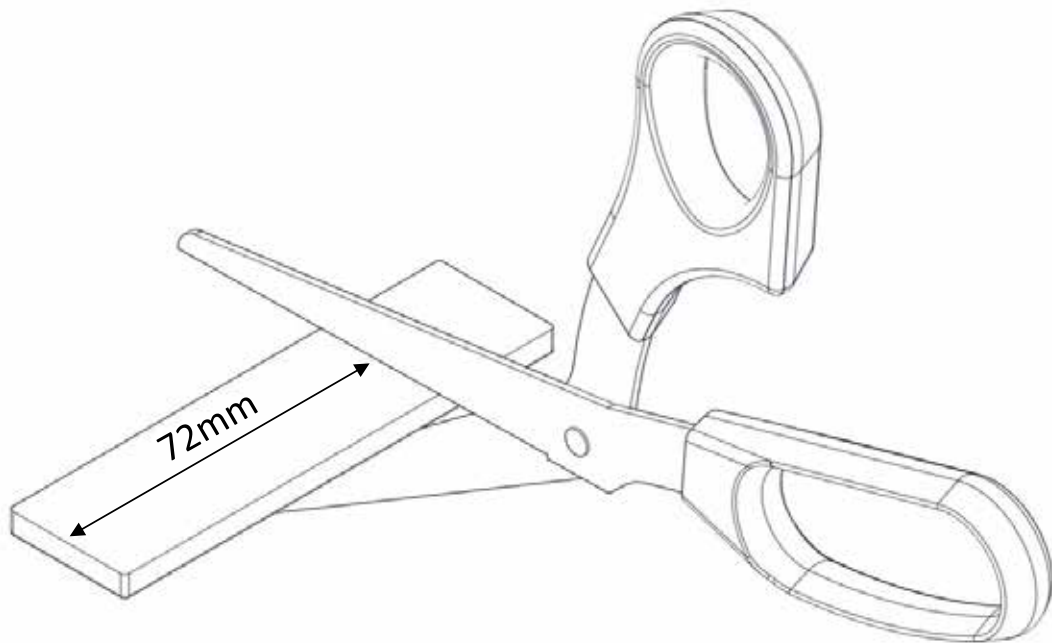


Ensure screw is flush with surface of the block

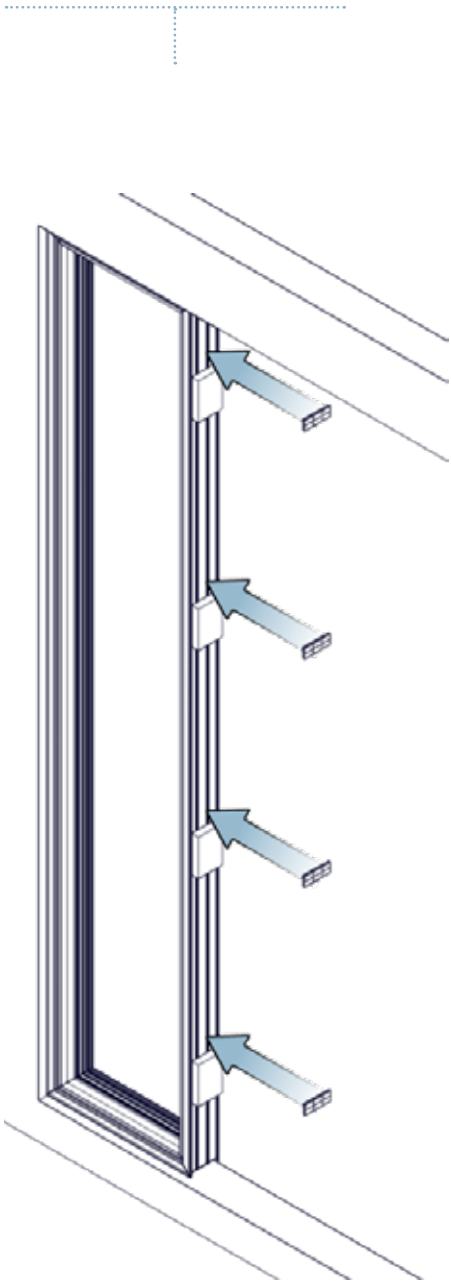


Window-to-jamb Coupler Installation Guide

Cut down 5mm frame packers to 72mm (one for each jamb packer)



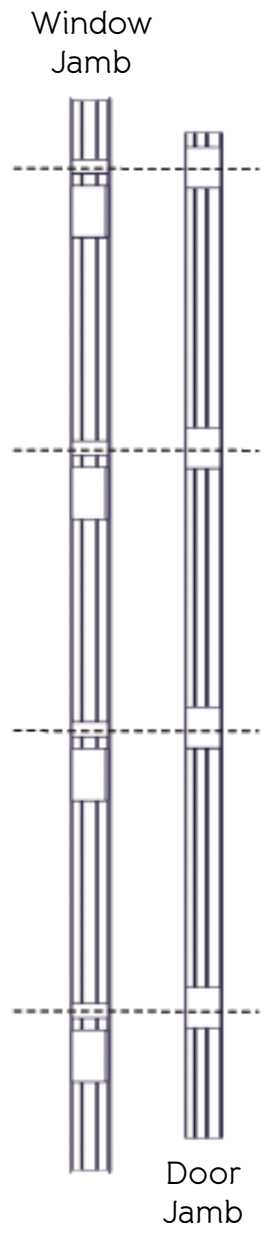
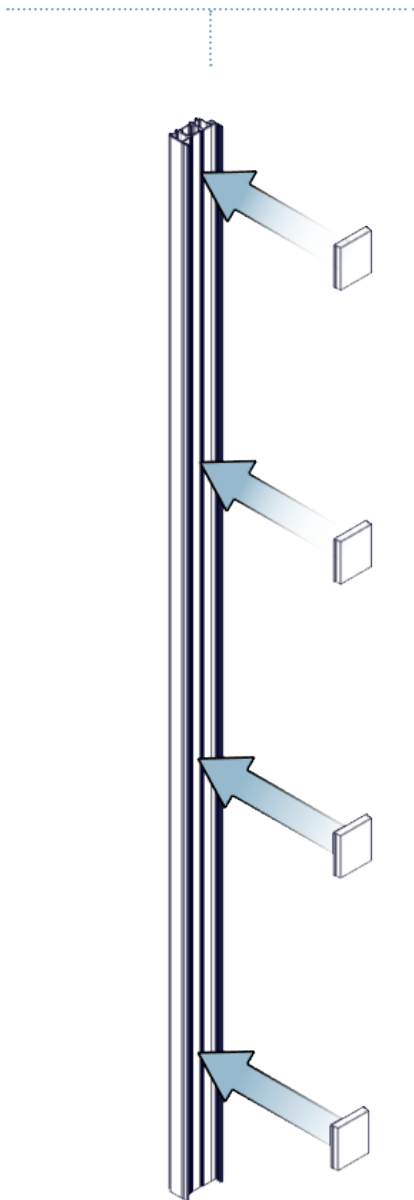
Install the glazing packers



Ensure packers are positioned next to the alignment blocks

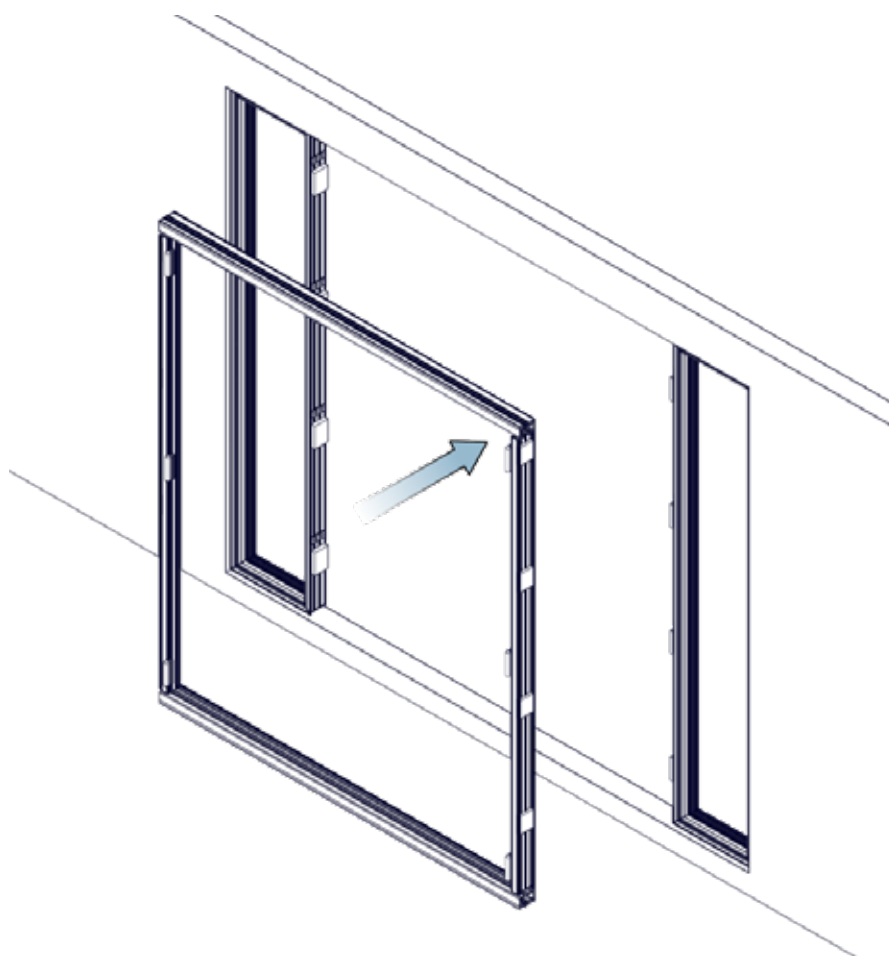
Window-to-jamb Coupler Installation Guide

Re-position the jamb packers in the jamb



Ensure packers are spaced the same as the frame packers installed on the window frame and fix appropriately

Position the door frame
into the aperture and
pack/ clamp accordingly

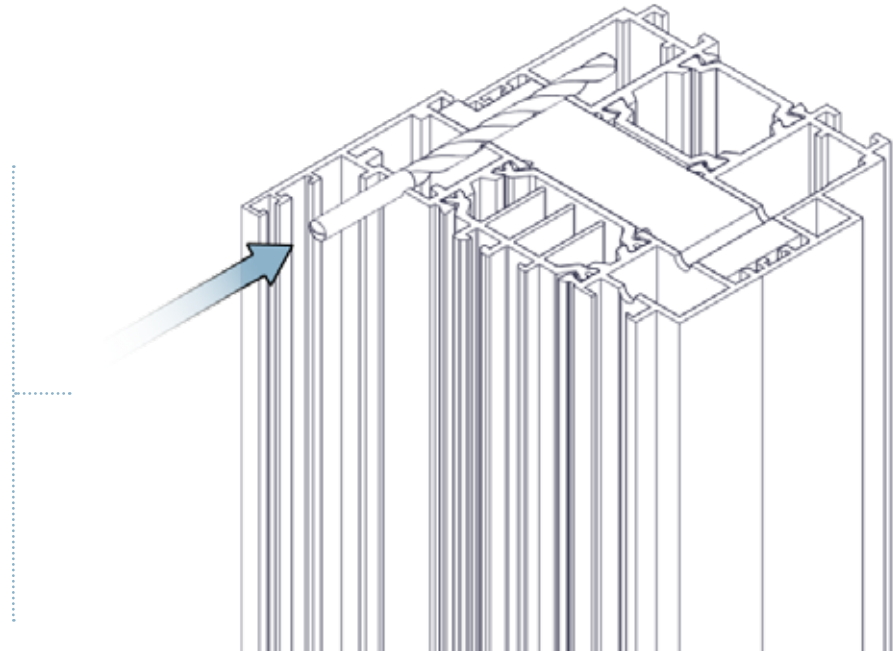


Window-to-jamb Coupler Installation Guide

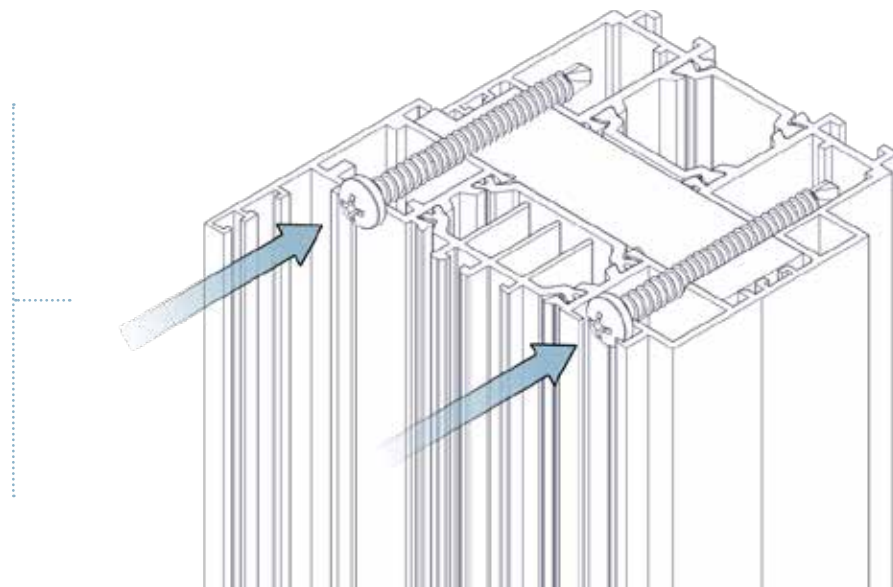


Do not drill into gasket chamber

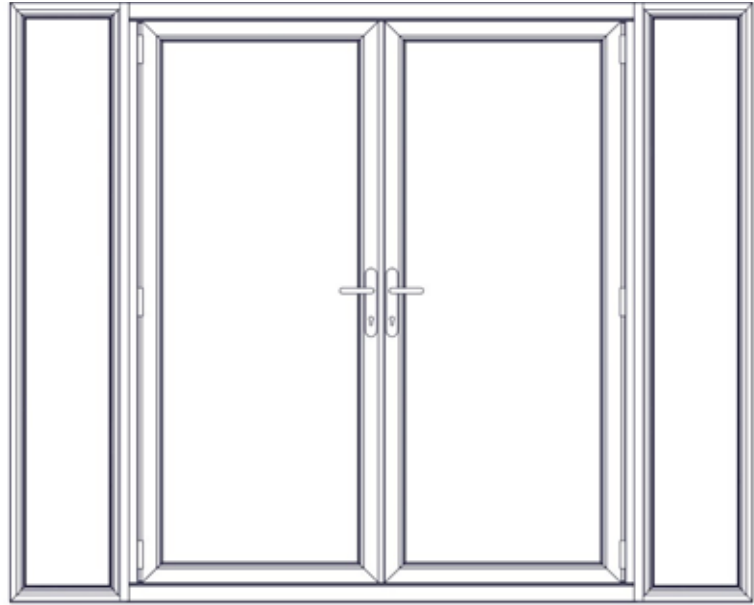
Pre-drill the frame with a 3mm drill bit, as shown, for every jamb packer used



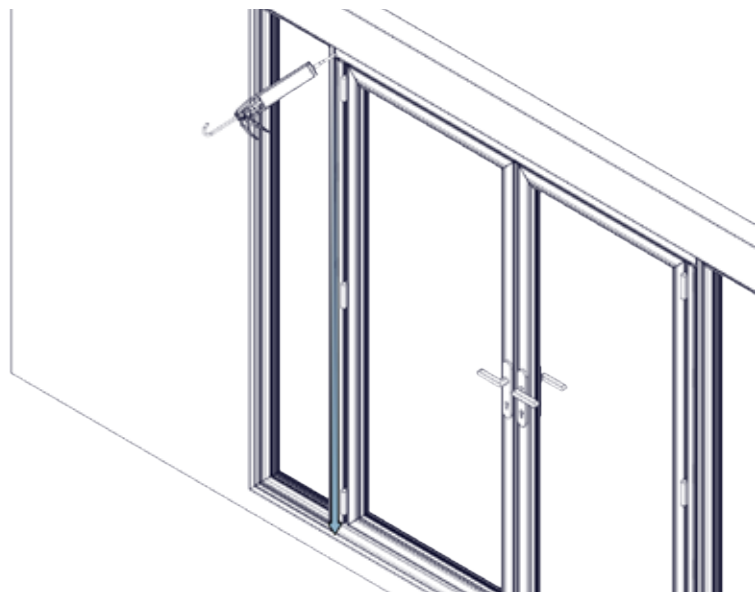
Using supplied screws, fix the window frame to the door jamb through the jamb packers



Install door sash,
windows and glass
as described in the
Installation Guide

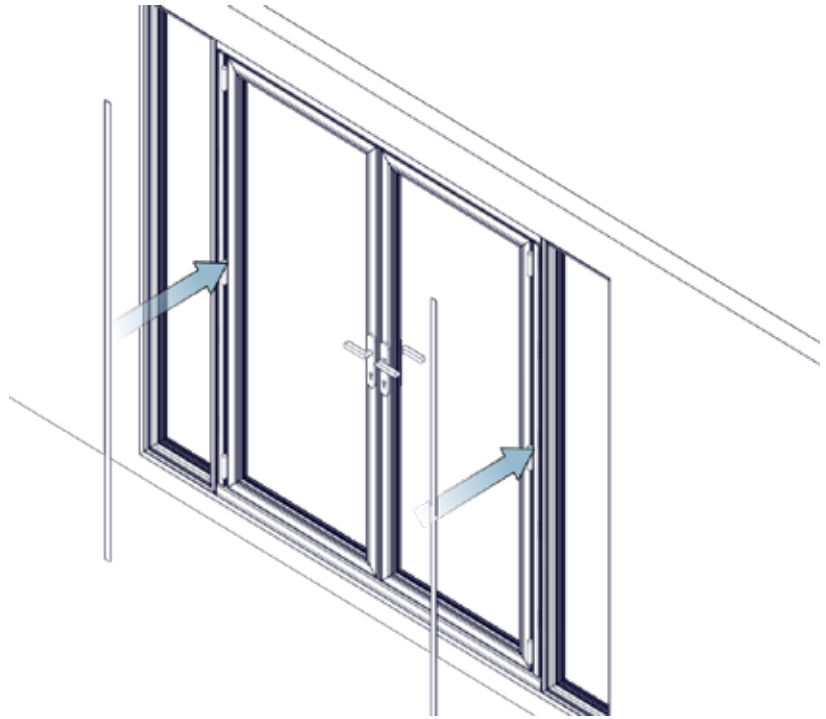


Seal the joint, between the
window and door frame,
making sure the joint is
completely weatherproof

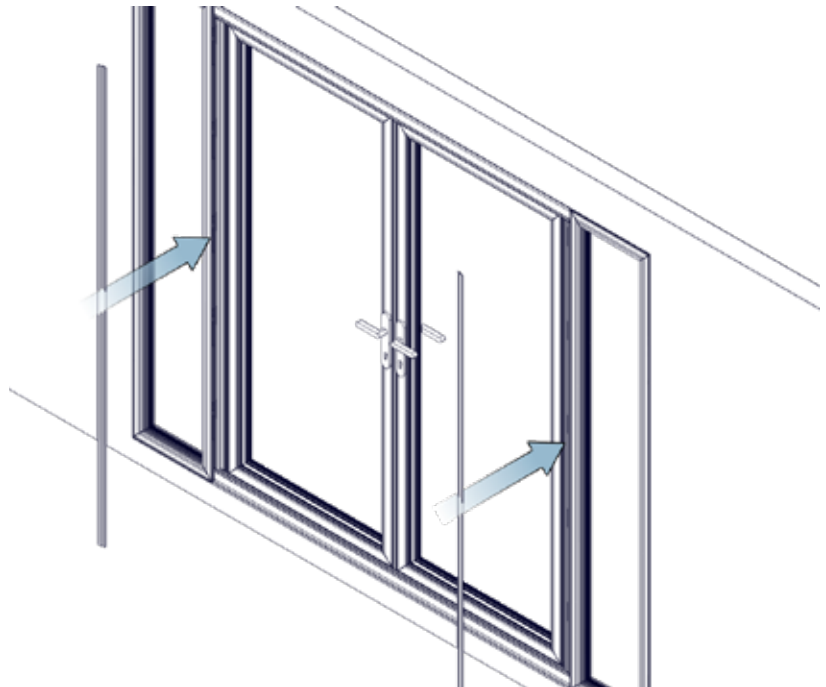


Window-to-jamb Coupler Installation Guide

Cut and fit supplied trim inside (flat) ...



...and out (stepped)



Contact

Accounts

t 08448 802 371 or 01494 416 895 **e** Finance@origin-global.com

Marketing

t 08448 802 374 or 01494 416 897 **e** Marketing@origin-global.com

Sales Operations

t 0808 168 5816 or 01494 686 868 **e** OrdersNorth@origin-global.com

e OrdersSouth@origin-global.com

Solutions

t 08448 802 373 or 01494 416 896 **e** Solutions@origin-global.com

Fleet and Logistics

t 08448 802 378 or 01494 416 898 **e** Logistics@origin-global.com

origin
DOORS AND WINDOWS

Origin Global HQ, Stuart House, Castle Estate,
Coronation Road, High Wycombe
Buckinghamshire, HP12 3TA

t 0808 168 5816
e enquiry@origin-global.com
w www.origin-global.com

Origin Northern Centre of Excellence,
Taurus Park, Europa Boulevard, Westbrook,
Warrington, Cheshire, WA5 7ZT

t 01925 907 907
e enquiry@origin-global.com
w www.origin-global.com



THE QUEEN'S AWARDS
FOR ENTERPRISE:
INTERNATIONAL TRADE
2020